

Caution: To ensure correct and safe use of the products, make sure that you also read the Operating Instructions carefully prior to operation.



BRAINVISION engineering **LIVEAMP** Setup

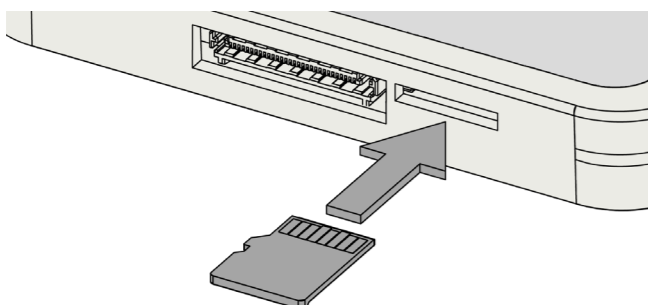


1 **Installing the software:** Insert the Brain Products Application Suite USB into a USB drive and install the **BrainVision Recorder** and **BrainVision LiveAmp File Converter** software as described in the LiveAmp Operating Instructions. The Operating Instructions are available on the BrainVision Application Suite USB.

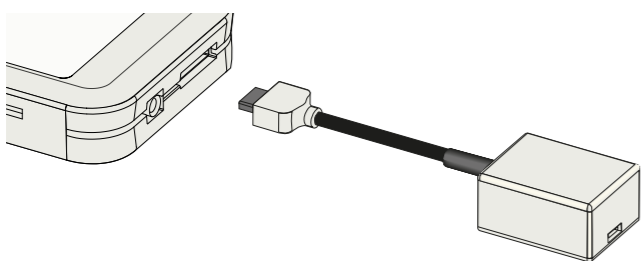


Plug in the Brain Products Application Suite USB and open the installation menu via double click on autorun.exe.

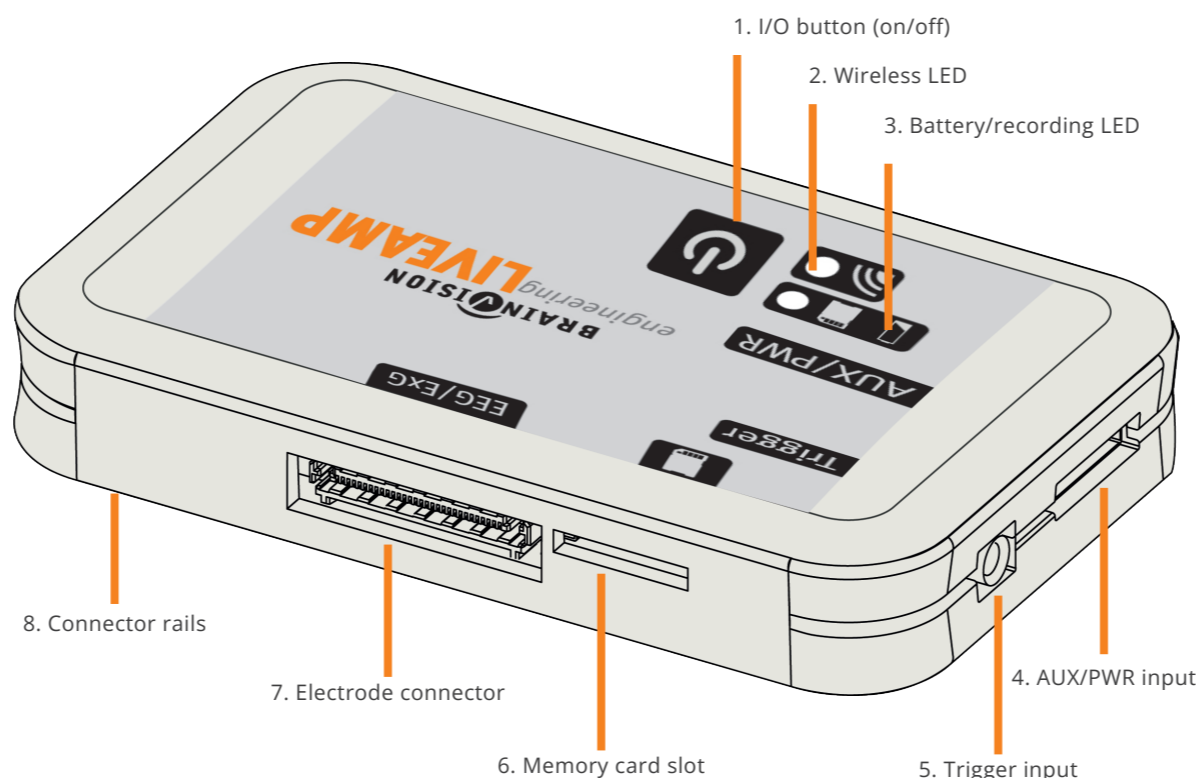
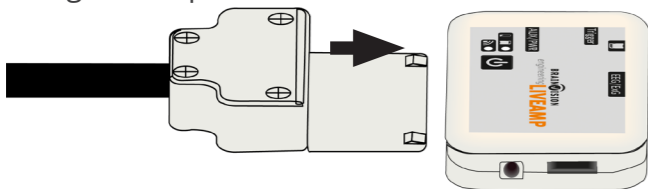
2 **Insert the memory card** to record data to the **LiveAmp**.



3 **Charge Battery before use.**
The battery is fully charged, when the battery LED lights up continuously.



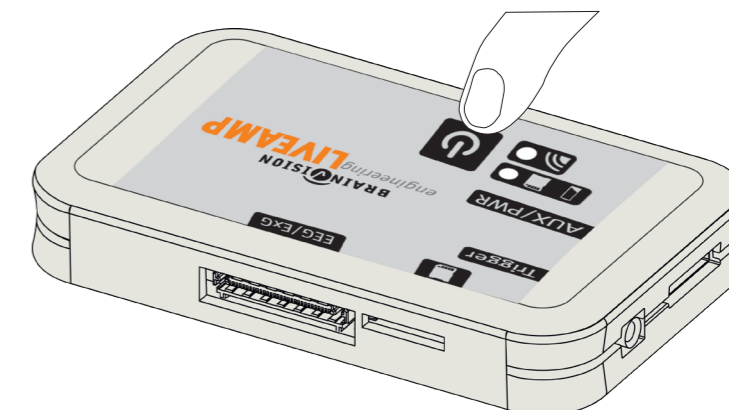
4 **Connecting the electrodes or electrode caps.**
LiveAmp 8,16 and 32
Important: Illustrated is the connection of caps with LiveAmp channel connector. It is possible to connect caps with ribbon-cable using an adapter.



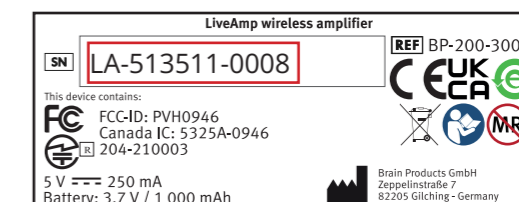
LiveAmp 64
Illustrated is the connection with a LiveAmp 64 actiCAP adapter. It is possible to connect caps with channel connectors.

Optional: Connect trigger sources via trigger input 5:
LiveAmp 8, 16 and 32: 1bit
LiveAmp 64: up to 2bit (1bit to primary and/or secondary LiveAmp)
via AUX/PWR input 4:
up to 8 bit via Sensor and Trigger Extension (STE). For LiveAmp 64 one STE can be connected to either the primary or secondary LiveAmp. For further details refer to the LiveAmp Operating Instructions.

Switch the LiveAmp on:
Press and hold the I/O button for five seconds.



Connect the LiveAmp wirelessly with BrainVision Recorder.
For further details refer to the BrainVision Recorder User Manual. Identify your LiveAmp Serial number and reference number can be found on the type plate:
BP-200-3000: LiveAmp 32 Channel
BP-200-3010: LiveAmp 16 Channel
BP-200-3020: LiveAmp 8 Channel



After use:
Disconnect the electrode caps and charge the battery of the LiveAmp

Set up Your LiveAmp System



© Brain Products GmbH
V001

Worldwide Caution:
Our products are scientific equipment for INVESTIGATIONAL USE ONLY! Medical use e.g. for diagnosis, treatment of disease or other such purposes is strictly forbidden.

T +49 (0) 8105 733 84 0
F +49 (0) 8105 733 84 505
sales@brainproducts.com
www.brainproducts.com

Brain Products GmbH
Zeppeinstrasse 7
82205 Gilching
Germany

